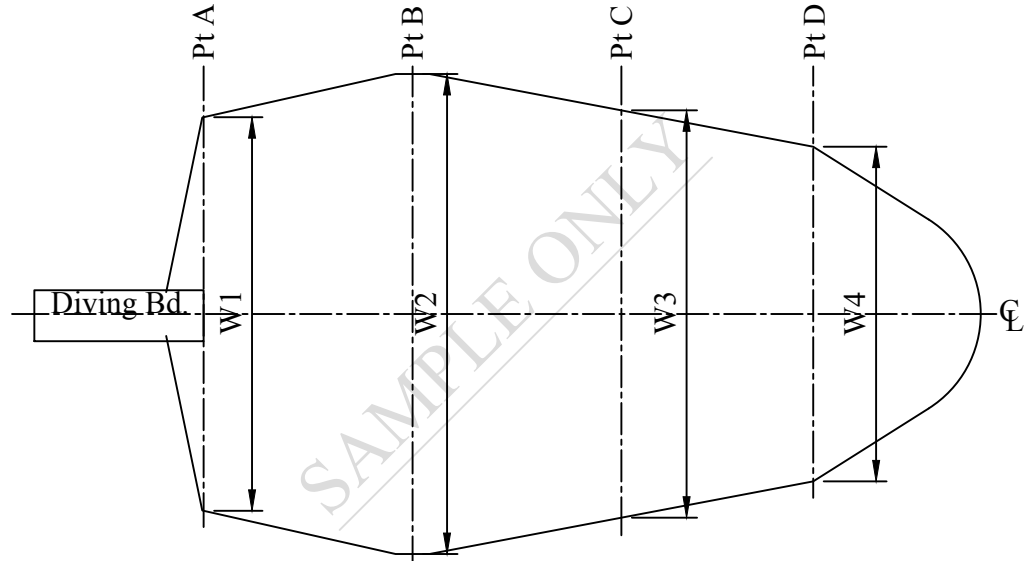


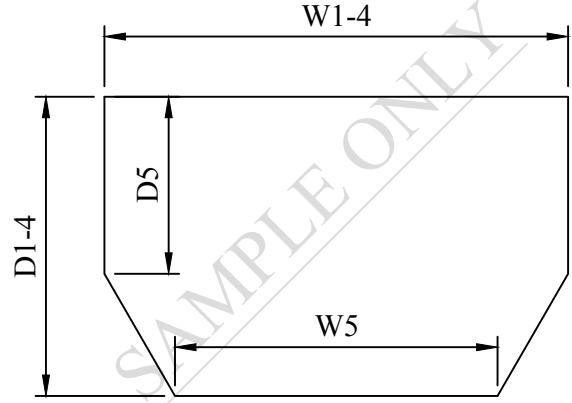
LONGITUDINAL SECTION

DRAWING NOTES:

FOR IN-GROUND POOLS YOU WILL NEED TO PROVIDE THIS PLAN VIEW, THESE SECTIONS AND A TYPICAL WALL SECTION FOR YOUR SPECIFIC POOL CONSTRUCTION. THIS DRAWING IS BASED ON THE FIGURES AND CODES FOUND IN THE INDIANA AMENDMENTS TO THE 2013 INTERNATIONAL RESIDENTIAL CODES, SECTION S4210 SPECIFICALLY. ALSO WILL NEED TO PROVIDE ANY ADDITIONAL INFORMATION FROM THE MANUFACTURER AND INSTALLATION/ CONSTRUCTION DOCUMENTATION. ALSO INCLUDE ANY ADDITIONAL EQUIPMENT BEING INSTALLED, LIKE BASKETBALL GOALS, VOLLEYBALL NETS, SLIDES, ETC.



PLAN VIEW



CROSS SECTION(S)